

4

3

2

1

REVISIONS				
ZONE	LTR.	DESCRIPTION	DATE	APPROVED

NOTES UNLESS OTHERWISE SPECIFIED:

1. PERFORMANCE:

1.1 HUMIDITY INDICATOR SHALL BE IAW SAE AS26860, TYPE II, EXCEPT AS INDICATED BELOW:

1.2 THE RELATIVE HUMIDITY OF THE CONTAINER AIR IS INDICATED BY SEGMENTS ON THE INDICATOR CARD. A BLUE SEGMENT INDICATES RH IS LESS THAN NUMBER IN THAT SEGMENT. A LAVENDER OR PINK COLOR IN SEGMENT INDICATES RH IS EQUAL TO OR GREATER THAN NUMBER IN THAT SEGMENT. COLOR CHANGE IS REVERSIBLE UNDER NORMAL CONDITIONS.

2. MATERIALS:

2.1 HOUSING, HEX NUT AND GASKET RETAINER: BRASS

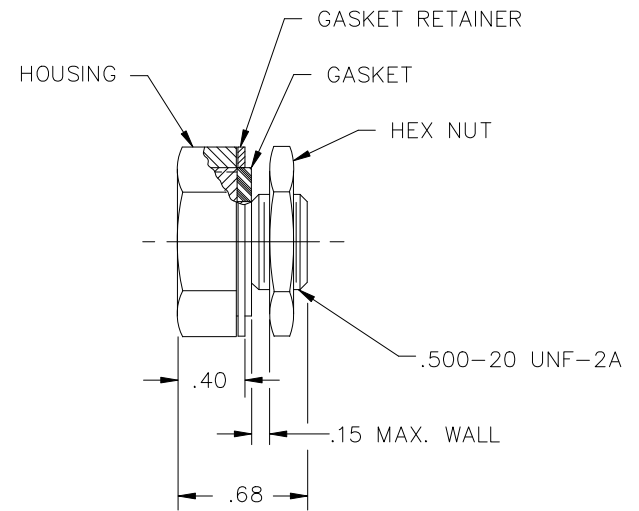
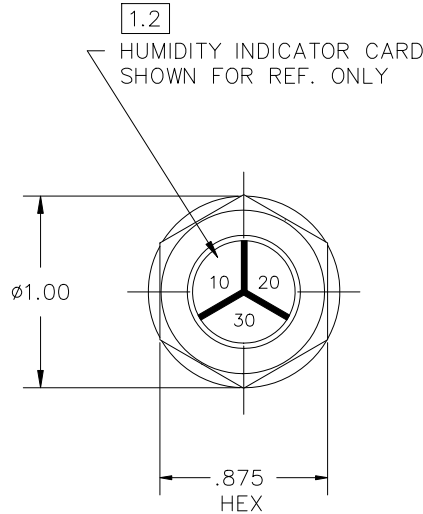
2.2 GASKET: SILICONE

2.3 WINDOW: GLASS

2.4 HUMIDITY INDICATOR CARD: CHEMICALLY IMPREGNATED BLOTTER PAPER

3. FINISH: HOUSING, HEX NUT AND GASKET RETAINER ZINC PLATED IAW ASTM B 633, ROHS-COMPLIANT.

4. SEE SHEET 2 FOR PART NUMBER TABLE.



				INTERPRET DIMENSIONS AND TOLERANCES IAW ASME Y14.5M-1994		CONTRACT		agm CONTAINER CONTROLS, INC. P.O. BOX 40020 - TUCSON, ARIZONA 85717-0020			
				UNLESS OTHERWISE SPECIFIED DIMENSIONS ARE IN INCHES		DRAWN R.CASAD		DATE 12-5-17		TITLE HUMIDITY INDICATOR	
				TOLERANCES:		CHECK					
				DECIMALS .XX ±.015 .XXX ±.010		ANGLES ±.5°		APPROVED By Eric Zuercher at 8:19 am, Feb 09, 2018		SIZE C	
				DO NOT SCALE DRAWING		FINISH		MANUFACTURING		FSCM NO. 08992	
				FINISH		3.		CUSTOMER		DWG. NO. TA370	
				PART DASH NO.		QTY. REQ'D PER ASSY.		APPLICATION		SCALE 2/1	
				1		1		FINAL		RELEASE DATE	
				NEXT FINAL		NEXT ASSY.		USED ON		SHEET 1 OF 2	
				SIMILAR TO		ACT. WT.		CALC. WT.		REV -	

4

3

2

1

4

3

2

1

REVISIONS				
ZONE	LTR.	DESCRIPTION	DATE	APPROVED

PART NUMBER TABLE

PART NUMBER	STANDARD ITEM	INDICATED HUMIDITY PERCENTAGE	SEGMENT TYPE	ADDITIONAL TEXT ON CARD	REPLACEMENT CARD PART NUMBER
TA370-123P	NO	10, 20, 30	PIE SHAPE		TA370-HC-123P
TA370-234S	NO	20, 30, 40	CIRCLES		TA370-HC-234S
TA370-234P	YES	20, 30, 40	PIE SHAPE		TA370-HC-234P
TA370-2345P	NO	20, 30, 40, 50	PIE SHAPE		TA370-HC-2345P
TA370-345P	YES	30, 40, 50	PIE SHAPE		TA370-HC-345P
TA370-357P	NO	30, 50, 70	PIE SHAPE		TA370-HC-357P
TA370-3579P	NO	30, 50, 70, 90	PIE SHAPE		TA370-HC-3579P
TA370-20	NO	20	WHOLE	REPRESERVE WHEN PINK	TA370-HC-20
TA370-40	NO	40	WHOLE	REPRESERVE WHEN PINK	TA370-HC-40
TA370-70	NO	70	WHOLE	REPRESERVE WHEN PINK	TA370-HC-70

SIZE C	FSCM NO. 08992	DWG. NO. TA370	REV —
SCALE	SHEET 2 OF 2		

4

3

2

1